

AQUILA RAPTOR



automotive service equipment



. **Aquila Raptor** represents a new concept of tyre demounting that differentiates itself on an international level and represents an ideal answer to the needs of wheel service professionals.

This tire changer was designed to make it easier to mount and demount all types of tires, especially rigid, low profile and Run Flat tires, which are extremely popular today, (Bridgestone RFT, Goodyear RunOnFlat, Pirelli Eufori@, Michelin ZP, Continental SSR, Dunlop DSST, etc.).

Aquila Raptor has been type approved by WDK (Tire industry association), which identifies equipment that complies with WDK procedures.

Aquila Raptor is a super-automatic model equipped with an exclusive device that make it possible for the operator to mount and demount any type of tire, also without the help of a lever and without the minimum amount of physical effort.

1. The pedal unit permits the operator to always work in the same position when operating the wheel lift.

2. The machine is equipped with a multi-functional and ergonomic console and, upon request, a practical wheel lift.

3. The machine is extremely simple, intuitive and safe to use: its ergonomic design and the single control device for total control of all movements allow the operator to work quickly and instinctively.

4. Integrated tire clamping that makes it easy to position the wheel on the turntable without any effort and makes it possible to break the two beads with a single movement, without having to turn the rim.

An extensive range of optional accessories are available to meet all the needs of industry professionals.



AQUILA RAPTOR



5-6-7. The bead breaking unit consists of two perfectly symmetrical discs working in a vertical direction. They can be positioned radially by activating a command on the console. The bead breaking system is dynamic and guarantees the perfect distribution of the effort required by the operation by

distributing the effort along the entire circumference of the tire, avoiding risks of damaging the tire or rim. The bead breaking system is extremely efficient for all types of tires, thanks to the patented bead breaker disc penetration system shown below.

8-9-10.

This demounting device without lever, when applied to the removal system, completely eliminates the need for physical effort by the operator and guarantees maximum safety for the rim and the tire.



AQUILA

RAPTOR

is the new tire changer from Mondolfo Ferro with the "SENZA LEVA" (Without lever) tire demounting technology.

Aquila Raptor is a tire changer able to satisfy all needs of the wheel service professional.

It is extremely simple and intuitive to use, combining work operations that have been learned by tire repairers over the years with innovative automatisms and functions.

All of its parts have been studied and designed so it will immediately become the tire repairer's best ally in his daily work.

The main advantages that can be obtained with this equipment are listed below:



► High work performance

Wheel clamping with a wheel support plate, a lateral dual bead breaker disc with two independent rollers and the demounting device without lever guarantee this machine's excellent performance.



► Ease of use

The demounting device "without LEVER", integrated in the traditional head, in combination with a multi-functional console, makes this machine truly easy to use and completely eliminates operator effort.

► Rim and tire protection

Each work operation is supported by functions and features that can guarantee the perfect condition of the rim and tire. Wheel clamping from the central hole without the use of clamps, the automated tire demounting unit without the use of a lever in combination with absolutely efficient and safe bead breaking guarantee operator safety.

► Speed

The perfect integration of various functions, in combination with an ergonomic work station, make work faster in all situations.

► Universality

Aquila Raptor can work correctly on all types of car and light transport vehicle wheels up to 28". Thanks to a complete offer of standard and optional accessories.

Standard accessories



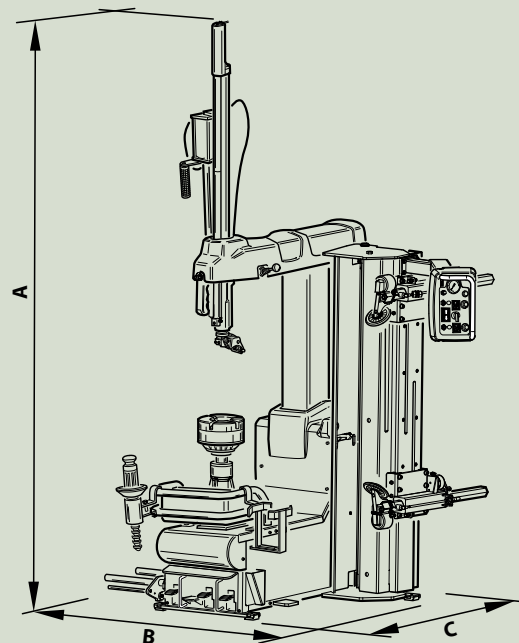
Optional accessories



Technical data

Rim diameter	12" - 28"
Max. tire diameter	1080 mm (42")
Max. wheel width	15"
Turn table rotation torque	1200 Nm
Clamp rotation	6-15 rpm (2V)
Force applied by bead breaker cylinder	5500 N
Wheel lifter load capacity	85 kg
Working pressure	10 bar
Electrical single-phase 2V motor	230V 50/60Hz 0.75 kW 110V 50/60Hz 0.75 kW
Weight	380 kg

Dimensions



	min	max
A	1210	2224
B	928	2018
C	1235	1784