

MT 3650^{up} MT 3350^{up}

EASY - ALU

NEW



MT 3650up MT 3350up

EASY - ALU

ELECTRONIC WHEEL BALANCERS FOR CARS, LIGHTWEIGHT TRANSPORT VEHICLES AND MOTOR VEHICLES

Attractive and original design, in remarkable dimensions. Fast and accurate, suitable for high working loads.

ALL MODELS

1. WEIGHT TRAY

Appealing design and shapes designed to allow maximum access to inside the wheel. The numerous weight-holder trays, compartments for cones and accessories and the adjustable monitor guarantee maximum work ergonomics. The tray is made of highly resistant materials. The anvil can be used to prepare or regenerate clip weights without damaging the weight tray.



2. STORAGE FOR ACCESSORIES

*The side accessory compartment has been designed to store universal flanges, cones and bushes. The work area is kept tidy and **accessories can be easily accessed and do not get damaged.***



3. WHEEL GUARD

*The new wheel guard allows use with wheel sizes **up to 44"**.*



MT 3650up MT 3350up

EASY - ALU

4. SPIN UNIT

Sized to work with high offset wheels without the need for additional spacers.

Automatic brake at the end of the spin.

Reduced cycle time and high performance.

The “zero” maintenance motor and highly innovative design solutions guarantee reliability, sturdiness and high work loads.



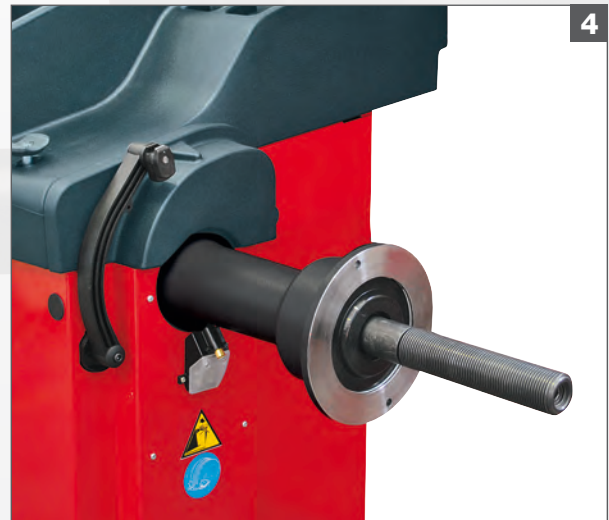
5. LED SPOTLIGHT

LED spotlight to light-up the work area and make it easier to clean the rim, check the wheel and apply weights.

The adhesive weights can be positioned extremely rapidly using the **laser pointer at 6 o'clock**.

6. SENSITIVITY CALIBRATION

Quickly and intuitive sensitivity calibration. The ne sample weight supplied with the machine is simply applied directly to the spin unit, ensuring maximum precision and eliminating operator error.



7. TL3

NEW

TL3 automatic sensor for measurement of wheel width (optional).



NEW

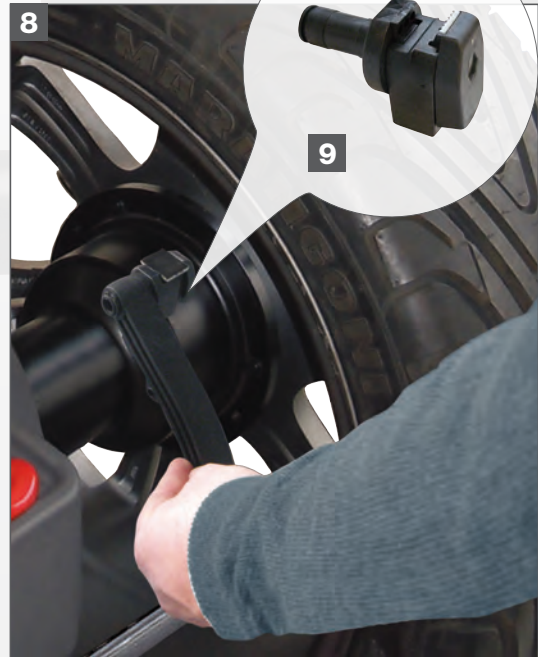
8. WHEEL DIMENSION DETECTION



Automatic wheel positioning in the point where the balancing weight has to be applied and electrical positioning brake (RPA)



Electronic input of wheel diameter and distance with **AUTOSELECT** function which automatically activates the balancing programs, avoiding keypad selection.



NEW

9. ADHESIVE WEIGHTS

Three modes to position the adhesive weights: with the weight holder clip (optional), with the 6 o'clock laser indicator or manually at 12 o'clock.

Special Programs for all models



HIDDEN WEIGHT

Program for concealing counterweights behind spokes for improved wheel aesthetics.



OPT FLASH

Program indicating ideal wheel/tire assembly position to reduce overall wheel imbalance.



EASY WIDTH

Automatic calculation of the width even if the TL3 external sensor is not present. The wheel balancer calculates the width by reducing the operational time (*).

General utility programs: calibration, servicing, self-diagnostic

MT 3650up

EASY - ALU

10. CLAMPING

New automatic wheel clamping system, with constant torque, for shorter operative times and higher centering accuracy (MT 3650) or manual wheel clamping with quick ring (MT 3650 - MT 3350).



11. MONITOR

Wide-screen monitor ideal for displaying high resolution graphics and dedicated software.

*As standard, the **Easy Weight programme** suite which included **Minimum Weight**. This software allows a significant reduction of balancing weights, through the analysis of different threshold values, according to the vehicle type: fast or slow (unique on the market).*



12. KEYPAD

Keypad with reduced number of key for simple and rapid machine use.



Technical data

MT 3650up MT 3350up

MT 3650up	198 kg	11"÷28" 1"÷35"	1,5"÷20"	600 mm	1117 mm	7 s	75 Kg	-115/230V- -1Ph- -50/60Hz-	90÷130 rpm	/	122 W
MT 3650C up	202 kg									7÷10	122 W
MT3350up	193 kg									/	100 W

MT 3350up

EASY - ALU

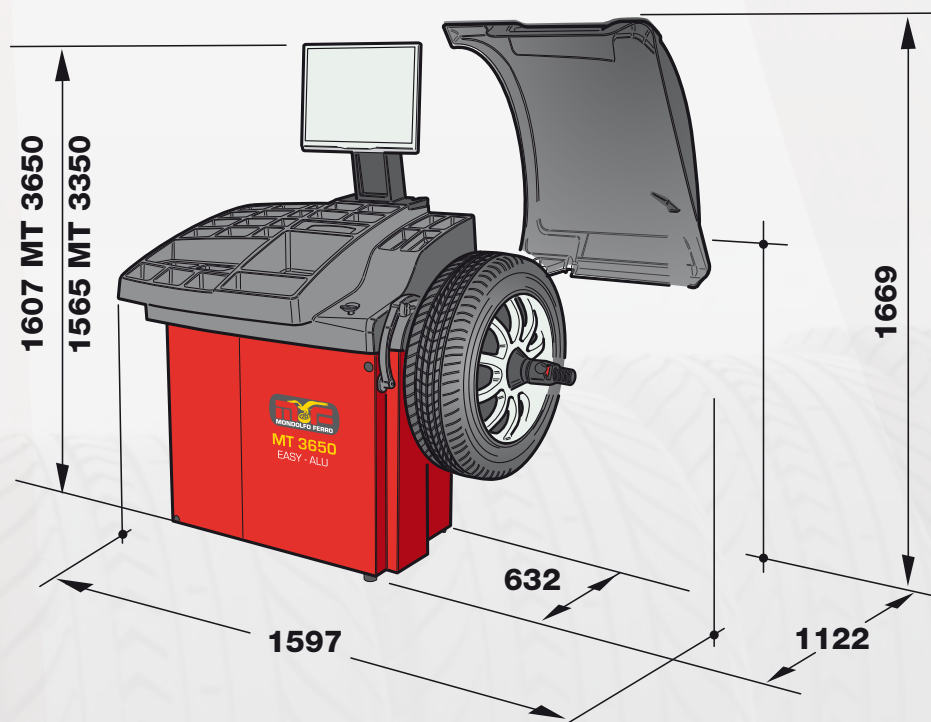
HIGH PERFORMANCE DIGITAL WHEEL BALANCER WITH LATEST GENERATION SOFTWARE SOLUTIONS.

A double display control panel enables a quick and intuitive selection of the balancing mode and immediate access to the most common operating functions.



Dimensions

MT 3650up MT 3350up



Equipment

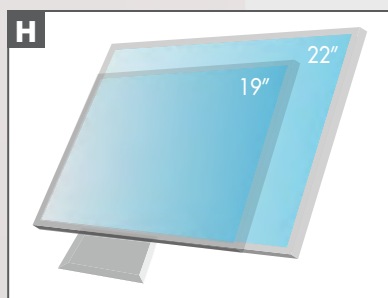
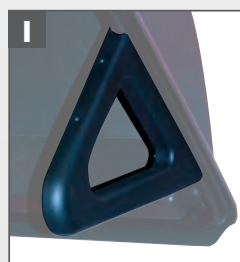
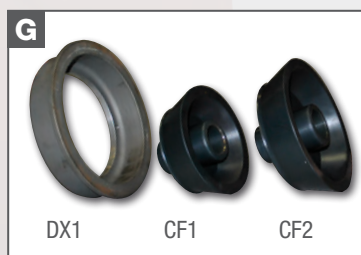


MT3650C



MT3350 - MT3650

Recommended accessories



A. SBC -> 8-21100082

Set of six bushes for reverse side centering

B. FRU -> 8-21100091

Universal self-centering flange for wheels with or without central hole, hole \varnothing min. 90 max. 210 mm

C. BVFF -> 8-21100092

Set of five bushes for precise centering on FRU flange

D. CLIP -> 8-21100159

STD ALU weight-holder terminal

E. WLØ -> 8-21100230

"Weightless effect" wheel lifter

F. -> 8-21100145

BMW Universal flange kit for wheels with central hole

G. DX-CBF -> 8-21100141

Centering accessory for van and off-road wheels with central hole with \varnothing 117÷173 mm

H. -> 8-21100235-8-21100234

8-21100235 LCD Monitor 19"- 8-21100234 LCD Mpnitor 22"

I. TL3 -> 8-21100232

Automatic sensor wheel width

For more information, please consult the accessories catalogue

