

# MT 3100<sup>up</sup> MT 3200<sup>up</sup>

EASY - ALU

**NEW**



PLUS version



automotive service equipment

# MT 3100up MT 3200up

## EASY - ALU

*ELECTRONIC BALANCING WITH DISPLAY FOR CARS, LIGHTWEIGHT TRANSPORT VEHICLES AND MOTOR VEHICLES*

**.Available versions:**

*High performance digital wheel balancer with latest generation software solutions*

**MT3200 up PLUS:** version with automatic input of wheel diameter and distance. Electrical clamping brake. **MT3200 up:** version with automatic input of wheel diameter and distance.

**MT3100 up:** version with manual input of wheel diameter and distance.

*All models are normally supplied with automatic spin by pushing down wheel guard.*

*Low rotation speed and double spinning button allow the machine to be used without wheel guard even in EEC area.*

### ALL MODELS

#### 1. DISPLAY AND WEIGHT HOLDER TRAY

**A double display control panel** enables a quick and intuitive selection of the balancing mode and immediate access to the most common operating functions.

*Ergonomic and spacious tray in highly resilient material for counterweights and work accessories.*



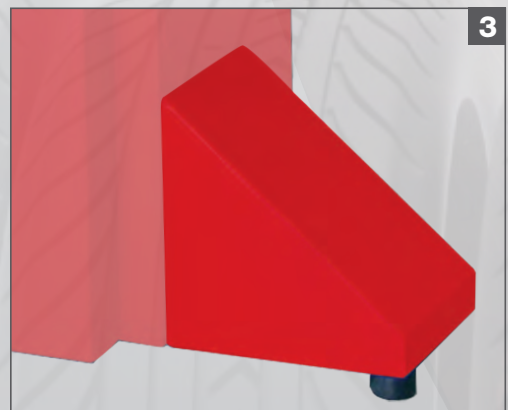
#### 2. SPIN UNIT

*Spin unit derives from the superior models of the B-Series and provides functional features typical of the upper models: reduced cycle time, measuring wheels weighing up to 75 kg and wheel balancing with inside offset of up to 275 mm without using additional spacer. The innovative drive and zero maintenance ensure maximum reliability.*

#### 3. SUPPORT BASE (optional)

*Front support base for balancing wheels up to 50 kg without fastening the machine to the ground.*





**NEW**



### 4. WHEEL DIMENSION DETECTION

**Electronic input of wheel diameter and distance** with AUTOSELECT function which automatically activates the balancing programs, avoiding keypad selection (no in the 3100 up version).

**NEW**



### 5. ADHESIVE WEIGHTS

**Three modes to position the adhesive weights:** with the weight holder clip (\*), with the 6 o'clock laser indicator (\*) or manually at 12 o'clock.



\* Optional function or accessory. See diagram





NEW



## 6. TL3

**TL3 automatic sensor** for measurement of wheel width (\*).



NEW



## 7. AUTO POSITIONING

**Automatic wheel positioning (RPA)** in the point where the balancing weight has to be applied and electrical positioning brake (\*).

NEW



## 8. LED SPOTLIGHT AND LPS LASER



**LED spotlight** to light-up the work area and make it easier to clean the rim, check the wheel and apply weights. The adhesive weights can be positioned extremely rapidly using the **laser pointer** 6 o'clock (\*).



\*Optional function or accessory. See diagram

# MT 3100up MT 3200up

EASY - ALU



## 9. PEDAL WHEEL HOLDER (OPTIONAL)

*Pedal wheel holder shaft locking brake, makes easier both the wheel clamping and unclamping options as well as the application of weights (\*).*



# MT 3100up MT 3200up MT 3200up PLUS

Special Programs for all models



## HIDDEN WEIGHT

*Program for concealing counterweights behind spokes for improved wheel aesthetics.*



## OPT FLASH

*Program indicating ideal wheel/tire assembly position to reduce overall wheel imbalance.*



## EASY WIDTH

*Automatic calculation of the width even if the TL3 external sensor is not present. The wheel balancer calculates the width by reducing the operational time (\*).*

*General utility programs: calibration, servicing, self-diagnostic*

*\* Optional function or accessory. See diagram*

# MONDOLFO FERRO

## MODEL



MT 3100up				✓					✓
MT 3200up			✓	✓	✓	✓		✓	✓
MT 3200up PLUS	✓	✓	✓	✓	✓		✓	✓	



STANDARD

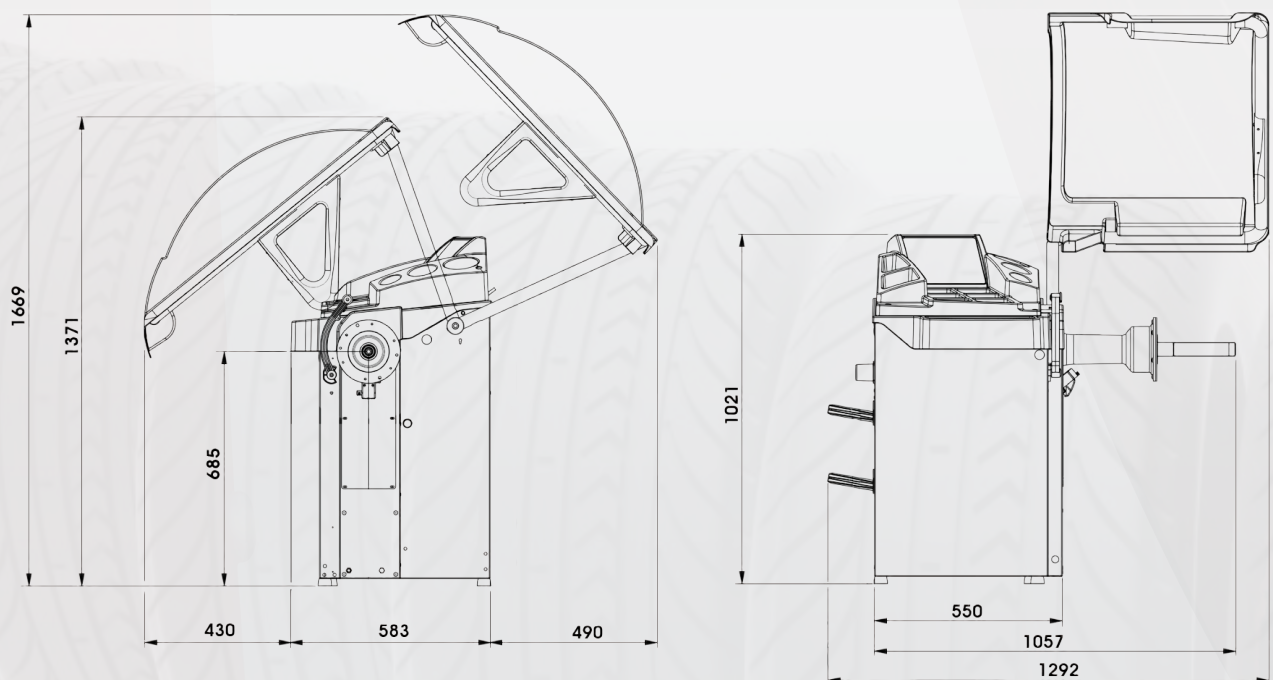


OPTIONAL

## Technical data

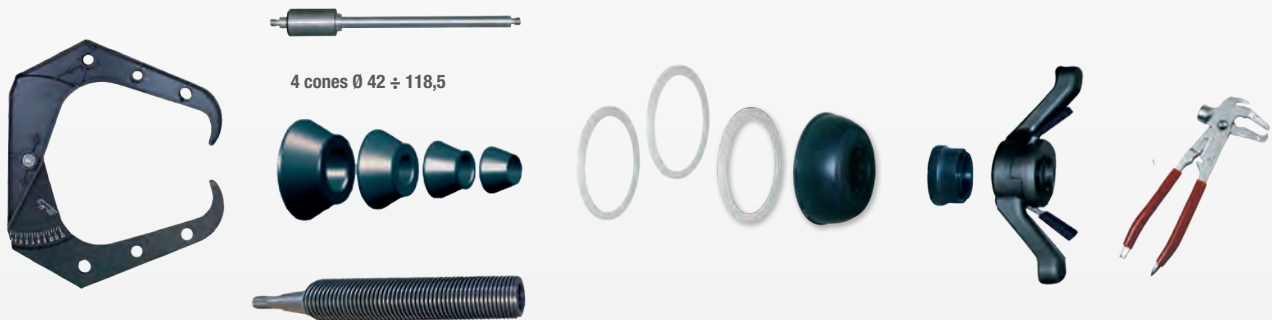
MT 3100up									
MT 3200up	75 Kg	10" - 28"	1,5" - 20"	600 mm	1117 mm	75 Kg	115/230V	90-130 rpm	100 W
MT 3200up PLUS		1" - 35"					1Ph - 50/60Hz		

## Dimensions



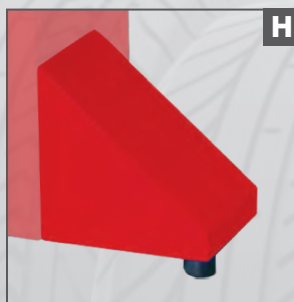
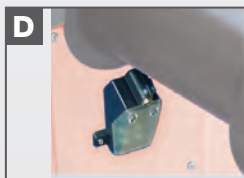
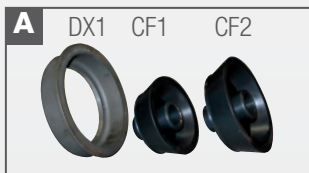


Equipment



4 cones Ø 42 ÷ 118,5

Recommended accessories



**A. DX\CBF-> 8-21100141**

Centering accessory for van and off-road wheels with central hole with Ø 117÷173 mm

**B. CB-> 8-21100191**

Pedal brake

**C. CLIP-> 8-21100159**

STD ALU weight-holder terminal

**D. -> 8-21100238**

STD ALU weight-holder terminal

**E. TL3-> 8-21100232**

Automatic sensor wheel width

**F. FRU-> 8-21100091**

Universal flange for wheels without central hole

**G. WLO -> 8-21100230**

"Weightless effect" wheel lifter

**H. PL50-> 8-21100158**

Base for wheels up to 50 kg

For more information, please consult the accessories catalogue

