

AQUILA

AS 944 LL
AS 944 LL TI



automotive service equipment



AS 944 LL is a super-automatic tire changer equipped with an exclusive device that make it possible for the operator to mount and demount any type of tire, also without the help of a lever and without the minimum amount of physical effort, "Without Lever". Solid and sturdy, it is especially suitable for intensive use. The high quality of the components used and severe tests implemented make this machine extremely reliable and minimize maintenance costs. The **AS 944 LL** is available upon request with two rotation speeds (6.5 - 15r.p.m) and tubeless tire inflation device. It can also be equipped with the Super RM device, as well as the approved kit for mounting and demounting Michelin, Pirelli, Goodyear e Dunlop Pax System wheels.

1-2-3.

This demounting device **Without Lever**, when applied to the removal system, completely eliminates the need for physical effort by the operator and guarantees maximum safety for the rim and the tire.

4.

The bead breaker arm allows an opening up to 410 mm, and is fitted with a stroke regulator to eliminate the risk of crushing the tire. The bead breaker is operated by a double-acting pneumatic cylinder made from 100% stainless steel, generating a power of 15500 N on the blade.

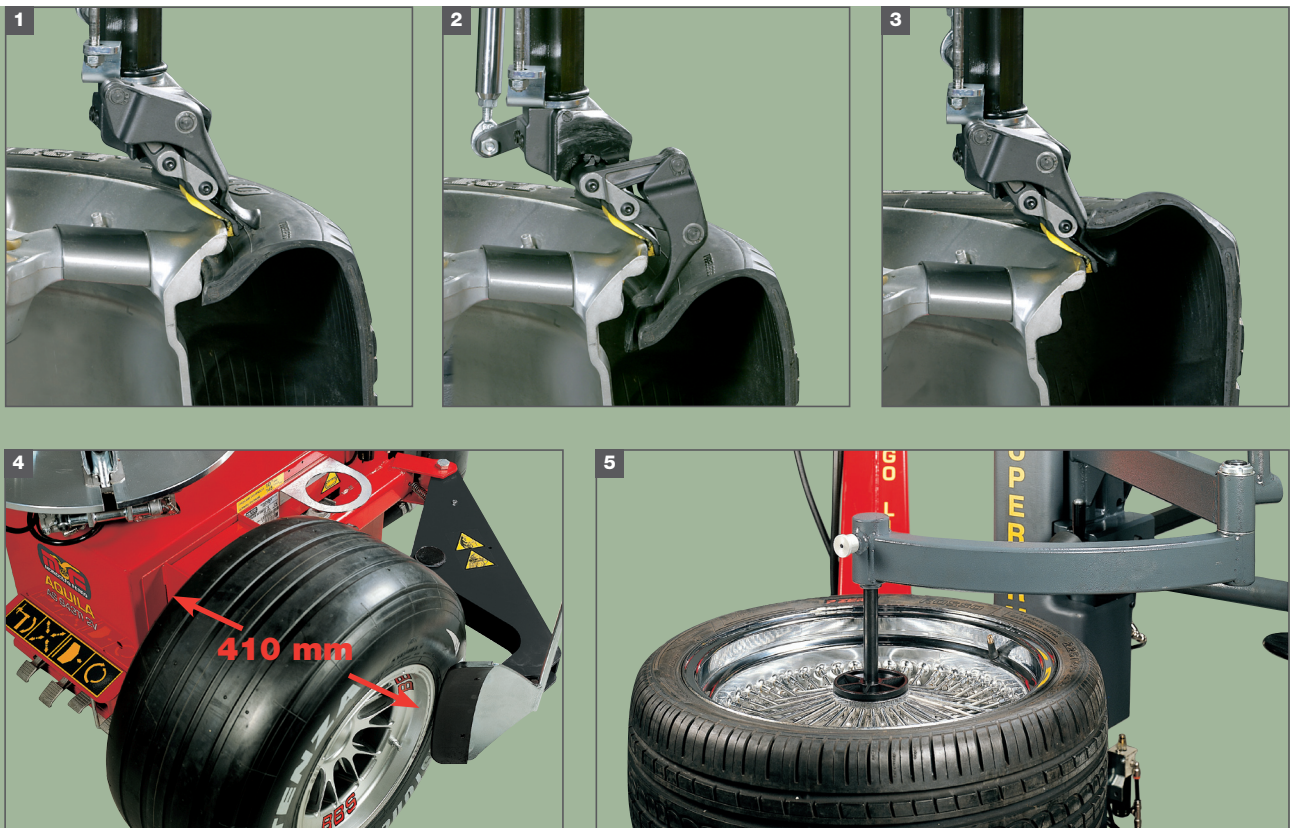
5. Clamping the rim on the turntable with the aid of the RM2 rim clamping cone.

6 - 7.

The **AS 944 LL** has a new-concept turntable with mechanism designed to assure high performance over time. In spite of the breadth of its working range (10" - 26"), the turntable is compact and has 2 working positions: the first from 10" to 23", the second from 13" to 26".

For a better functioning of the "Without lever" technology, the combination with SUPER RM is always recommended. ➡

Photo of AS944 complete with optional accessories **SUPER RM NEW**, RM2, RM3, Airtronic and the wheel lifter SL80 A.

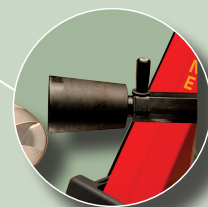




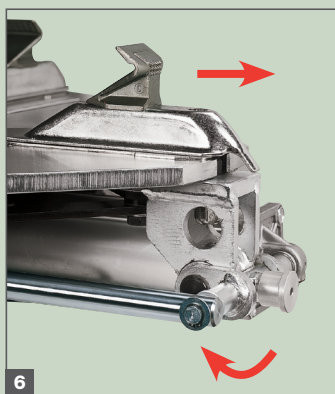
AQUILA

AS 944 LL

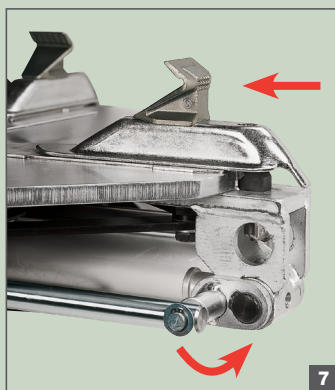
AS 944 LL TI



SUPER RM2 Eagle



6



7

Recommended for RUN FLAT tires:



AQUILA

AS 944 LL - AS 944 LL TI

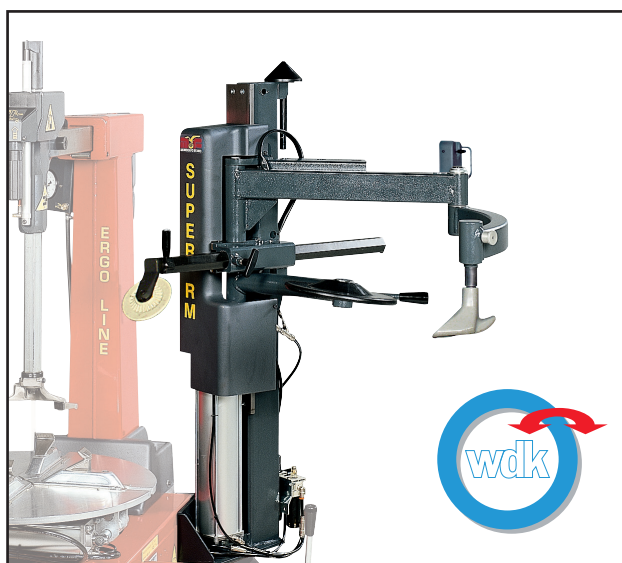
Standard accessories



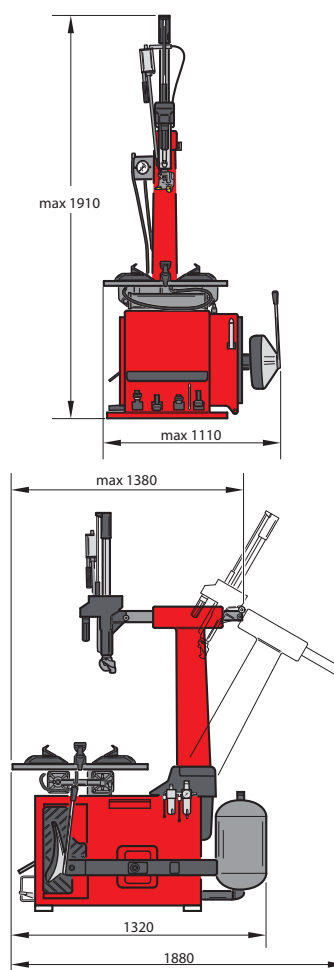
Technical data

Clamp opening (hold from inside rim)	13" - 26"
Clamp opening (hold from outside rim)	10" - 24"
Bead breaker force	15500 N
Max. opening of bead breaker blade	410 mm
Operating pressure	10 bar
Electrical three-phase motor	230/400 V 50/60 Hz 0,75 kW
Electrical single-phase 2V motor	230 V 50/60 Hz 0,75 kW
Electrical single-phase motor	115/230 V 50/60 Hz 0,75 kW
Max. tire diameter	1040 mm
Max. wheel width	14"
Turntable torque	1200 Nm
Clamp rotation	8 rpm 6-15 rpm (2V)
Weight	274 kg 288 kg (TI)

Kit SUPER RM NEW (optional) Kit SUPER RM NEW (optional)



Dimensions



< Watch the demo video

 www.facebook.com/MONDOLFOFERROspa

 <http://www.youtube.com/user/MondolfoFerro>



MONDOLFO FERRO S.p.A. - a **NEXION GROUP COMPANY**
 Viale Dell'Industria, 20 - 61037 MONDOLFO (PU) ITALY
 Tel. 0721.93671 - Telefax 0721.930238
 info@mondolfoferro.it - www.mondolfoferro.it

The company reserves the right to modify the technical specifications of its products at any time.

by Marketing DPMF000129D - I - UK - 04/2013.