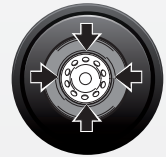


MADE BY MONDOLFO FERRO

# AQUILA AS 924



24"



automotive service equipment

# AQUILA AS 924

## AS 924 IS A SUPER-AUTOMATIC TYRE CHANGER FOR CAR, RACING AND VAN WHEELS FROM 10" TO 26" IN DIAMETER AND 14" WIDE.

Solid and sturdy, it is especially suitable for intensive use. The machine may also be equipped with the SRM 300 helper device for working easily and in complete safety even with low profile and RFT tires.

### 1. TOOL HEAD

Pneumatic shaft locking with automatic distance control of mounting tool in horizontal and vertical directions. Plastic protectors are supplied with the machine.



### 2. BEAD BREAKER

The bead breaker arm allows an opening up to **370 mm**. The bead breaker is operated by a double-acting pneumatic cylinder made from **100% stainless steel**, generating a power of 15500 N on the blade.



### 3. TELESCOPIC HORIZONTAL ARM

**Telescopic (hexagonal) horizontal arm** for quicker positioning of the head in relation to the rim.



### 4. PNEUMATIC LOCKING

Simultaneous **pneumatic locking** of the horizontal arm and head carrier vertical arm with automatic positioning of the latter to ideal working position.

Help device Help device **OPTIONAL**

- SRM 300 -



- SRM Mini -



**A. 8-11100343 -> SRM 300**

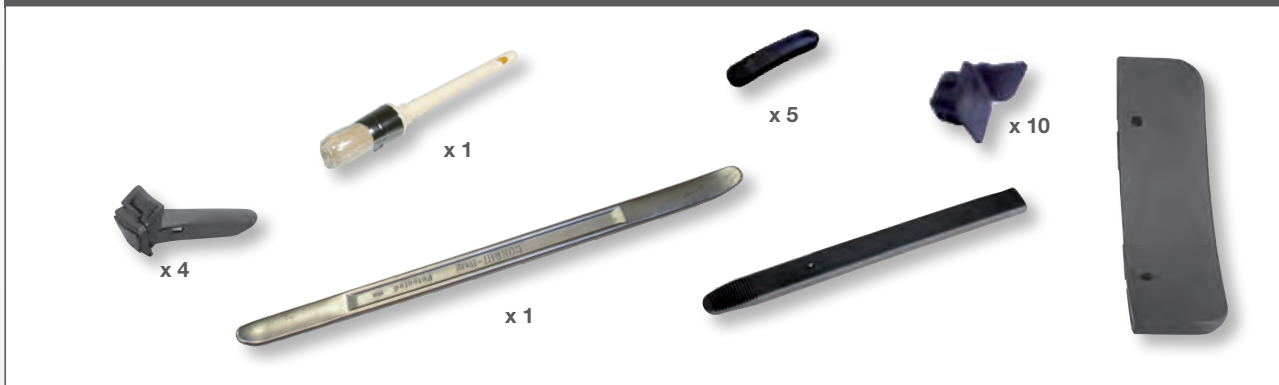
**+ 8-11300039 -> KIT CUSTOMIZE AS 924**

*It is practical and functional Helper device specifically designed to make mounting and demounting operations quicker, more precise and safer. Available in 2V version and with T.I. inflation system and alloy spot rims.*

**B. 8-11300042 -> SRM MINI**

*Multipurpose device only for AS924*

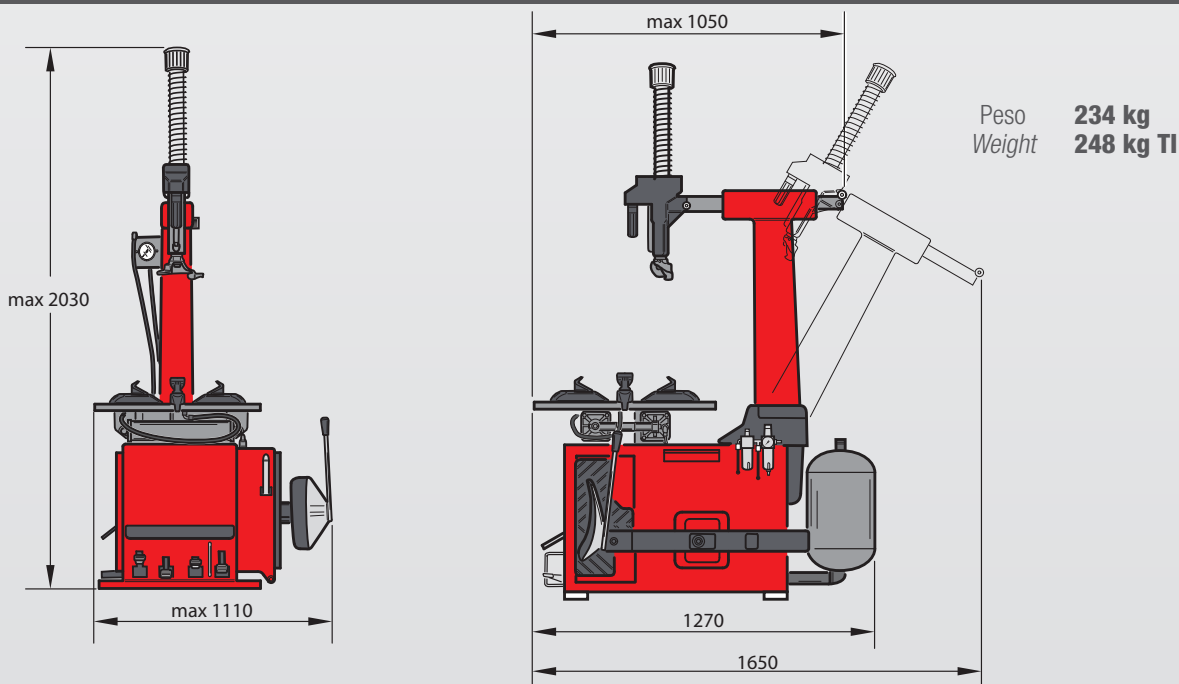
## Dotazione Equipment



## Technical data

<b>Turntable</b>		
Inside clamping capacity		13" ÷ 26"
Outside clamping capacity		10" ÷ 24"
Maximum tire diameter		1100 mm (43")
Maximum tire width		355,6 mm (14")
Rotation torque		1200 Nm (400v 3ph)
Rotation speed		8,5 rpm / 13 rpm (2V)
<b>Bead breaker</b>		
Maximum opening		370 mm
Shoe force		15.500 N - 10bar
<b>Power supply</b>		
Electric motor 2V		0,9/1,2 kW - 3Ph - 400V - 50Hz
Electric motor		0,75 kW - 3Ph - 400V - 50Hz
Operating pressure		8 ÷ 10 bar

## Dimensioni Dimensions



by Marketing - Cod. DPMF000247B- I-UK - 05/2017.

The company reserves the right to modify the technical specifications of its products at any time.

